

# SX4 | Benchtop Optical Switch



## Product Description

JGR's SX4 fiberoptic switches are benchtop instruments ideal for manufacturing production testing. A variety of configurations including 1x2 up to 1x24 are available. The SX4 offers low insertion loss and excellent repeatability, with the advantage of ease of use and portability.

The switch is controlled via remote interface (GPIB, RS232, or USB\*) or locally via the user-friendly front panel keypad and display. For additional flexibility, the front panel bulkheads may be fitted with typical FC/UPC, FC/APC, SC/UPC, or SC/APC connector types.

\*USB interface via USB-DB9 adapter

## KEY FEATURES

- 1A, 2B, 2C configurations
- Low IL at 0.7 dB
- Single-mode or multi-mode

## APPLICATIONS

- Manufacturing production testing
- Multiple device testing
- R&D applications
- System compliance testing

## COMPLIANCE

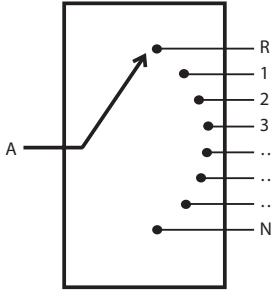
- UL/CSA 61010
- IEC 61010
- FCC Part 15 (Class A)
- EN 61326 (Class A)

## IN THE BOX

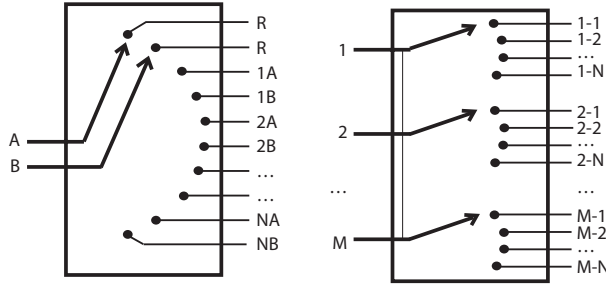
- SX4 Switch
- AC power cord
- Test Report

# Configuration Options

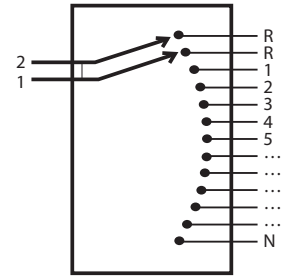
**A- Configuration: 1xN**



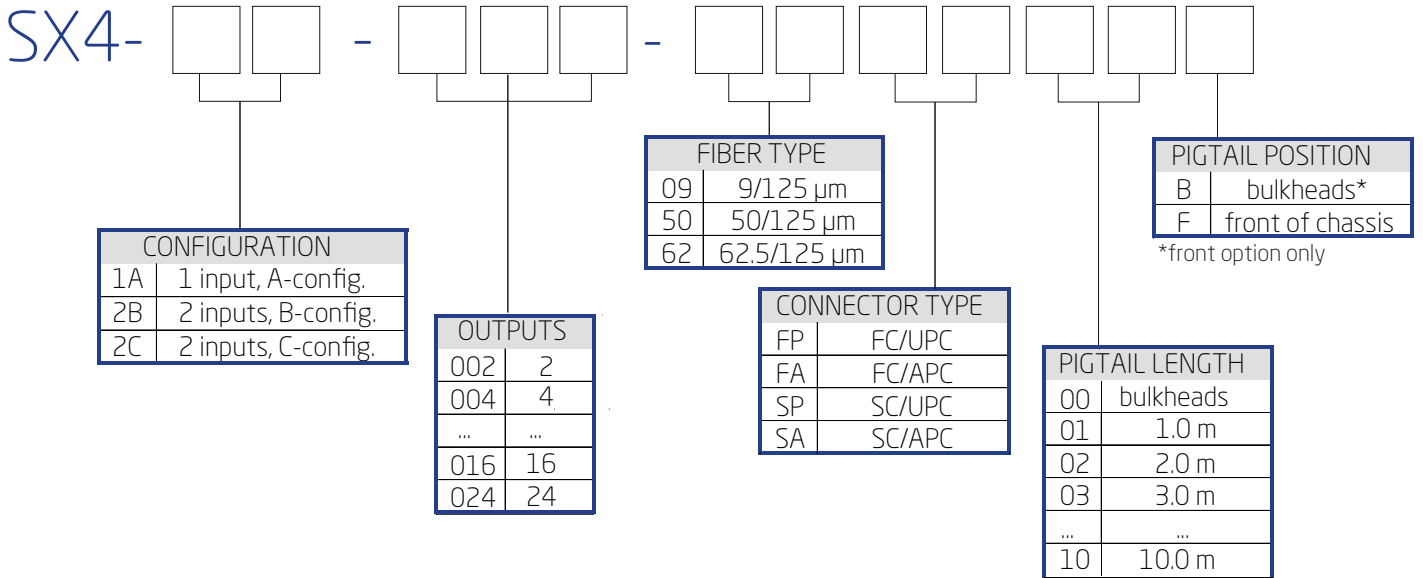
**B- Configuration: Ganged 1xN (MxN) Configurations**



**C- Configuration MxN Non-blocking**



## Ordering Scheme



## Specifications

| OPTICAL / ELECTRICAL SPECIFICATIONS   |   |            |
|---------------------------------------|---|------------|
| Parameter                             | Specification                                 |            |
|                                       | Single-mode                                   | Multimode  |
| Wavelength Range (nm)                 | 1250 - 1670                                   | 840 - 1350 |
| Insertion Loss (dB) <sup>1</sup>      | 0.7   |            |
| Backreflection (dB) <sup>1</sup>      | ≤ -60   | ≤ -40      |
| PDL (dB)                              | 0,05  | N/A        |
| Repeatability (random switching) (dB) | ± 0.03  |            |
| Repeatability (sequential) (dB)       | ± 0.005                                       |            |
| Crosstalk (maximum) (dB)              | -80   |            |
| Maximum Input Power (mW)              | 300   |            |
| Switching Time (ms)                   | 300   |            |
| Input Voltage                         | 100 - 240 V AC, 50 - 60 Hz                    |            |
| Power Consumption (VA)                | 60 maximum                                    |            |
| Control                               | Front Panel / GPIB / RS232 / USB <sup>2</sup> |            |
| Switch Life                           | 10 <sup>8</sup> cycles                        |            |

**Notes:**

<sup>1</sup> Excluding connectors.

<sup>2</sup> USB interface via USB-DB9 adapter.

| OPTICAL / ELECTRICAL SPECIFICATIONS    |                             |
|--|-----------------------------|
| Parameter                              | Specification               |
| Unit Dimensions W x H x D (cm)         | 25 x 12 x 27                |
| Shipping Box Dimensions W x H x D (cm) | 37 x 25 x 38                |
| Unit Weight (kg)                       | 3                           |
| Total Shipment Weight (kg)             | 4                           |
| Operating Temperature (°C)             | 0 to 55                     |
| Storage Temperature (°C)               | -40 to 70                   |
| Humidity (Non-condensing) (°C)         | Maximum 95% RH from 0 to 40 |