

FIS BUFFERED FIBER ADAPTERS

Available Styles

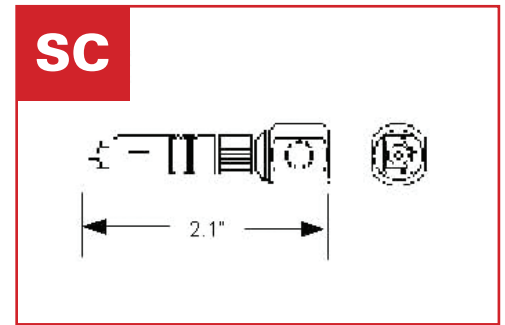
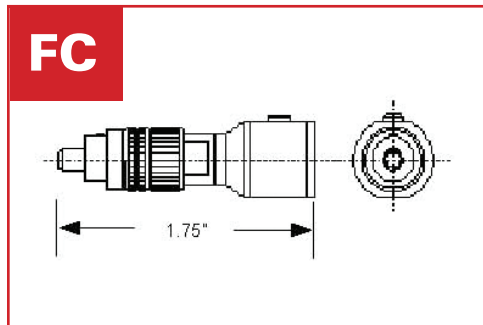
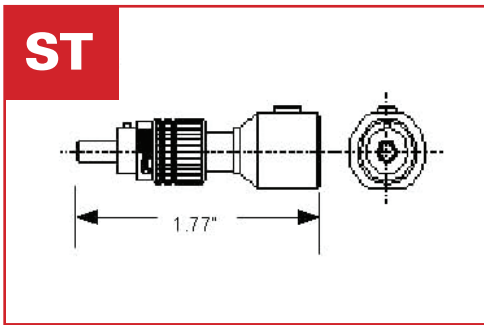
- ST
- FC
- SC

Applications

- Optical Testing
- Repairs

Our Buffered Fiber Optic Adapters are designed to hold 900 buffer optical fiber, and are available in ST, FC, SC and SMA 905 configurations.

In addition to this particular fiber optic adapter style, we offer a wide range of other fiber optic adapters for those applications that require cable-to-cable connections. Our fiber optic adapters accommodate all standard fiber optic connectors including LC, SC, FC, ST, MU, MTRJ styles and more.



MATERIAL SPECIFICATIONS

FC & ST Adapter

Ferrule	Ceramic
Connector Housing	Nickel Plated Metal
Adapter Backbody	Powder Coated Metal

SC Adapter

Ferrule	Ceramic
Connector Housing	Plastic
Adapter Backbody	Powder Coated Metal

SPECIFICATIONS

Fiber Compatibility

125um Clad Fiber (singlemode or multimode)
900um Buffer

Optical Loss

< 1 dB against a standard connector



1.800.5000.FIS

161 Clear Road • Oriskany, NY 13424
 Tel: 315.736.2206 • Fax: 315.736.2285
info@fiberinstrumentsales.com
www.fiberinstrumentsales.com

