

Technical specification for SC/APC connector:

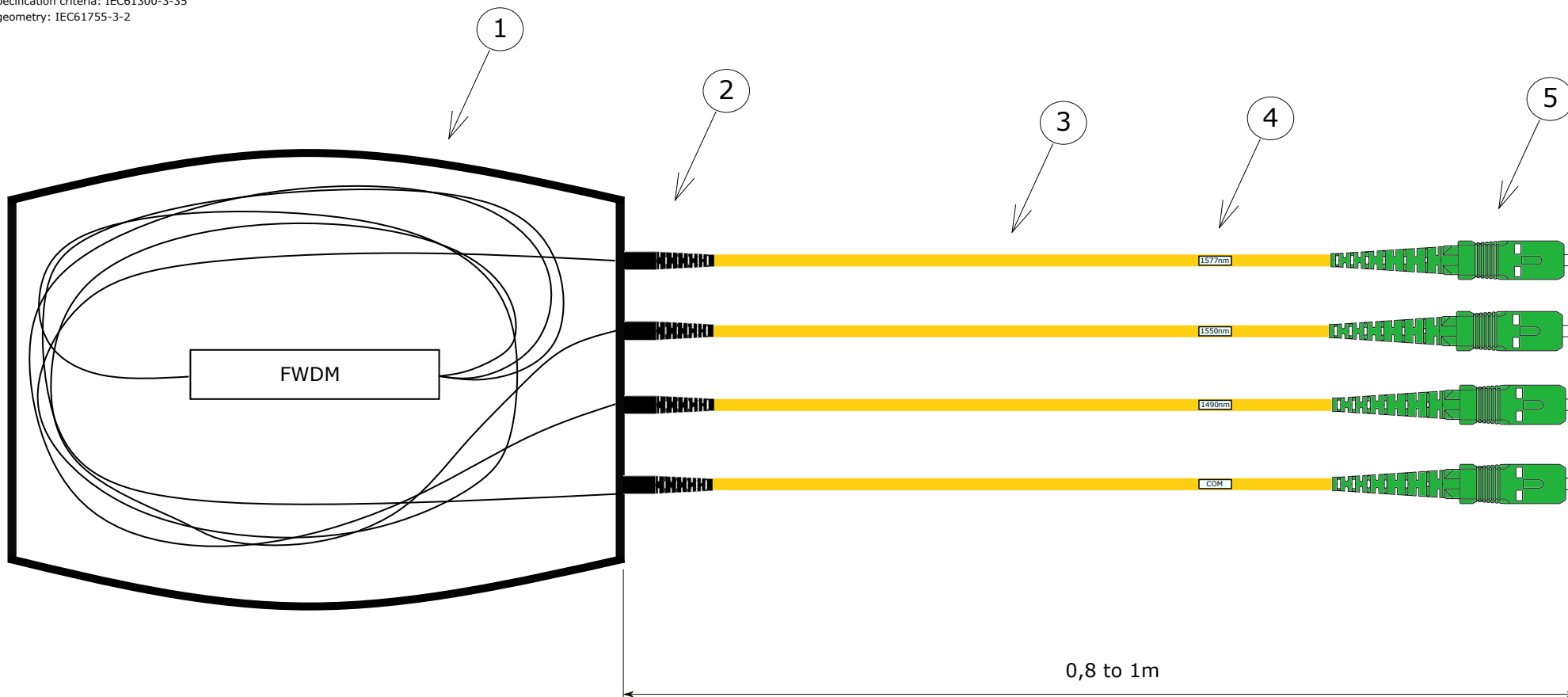
Connector standard: IEC61754-4, type SC connector family
 Ferrule type: zirconia 2,50mm APC ferrule
 Polishing style: 8° degree PC polishing

Performance characteristics:

Insertion Loss (IL): typ ≤ 0,15dB, max ≤ 0,35dB @ 1310/1550nm, IEC61300-3-4, 5.4.4
 Return Loss (RL): typ ≥ 70dB, min ≥ 60dB @ 1310/1550nm, IEC61300-3-6, 5.5.3
 Performance grade: exceeds IEC61755-2-2, Grade C1
 Service life: > 500 matings
 Visual specification criteria: IEC61300-3-35
 Ferrule geometry: IEC61755-3-2

Standards:


Product is compliant to:
 - RoHS 2 Recast Directive 2011/65/EU and Directive (EU) 2015/863 of the European Parliament and of the Council on Waste Electrical and Electronic Equipment (WEEE)
 - EU regulation (EC) 1907/2006 concerning the Registration, Evaluation, Authorization and Restriction of Chemicals (REACH)



Poznámky:

- 1) Plastová krabička so zabudovaným FWDM 4-port filtrom
- 2) Prechod na 2mm ochranný tubing, Čierny flex boot
- 3) Ochranný tubing 2mm, žltý
- 4) Brady štítk (1577nm, 1550nm, 1490nm, COM)
- 5) SC/APC konektor, zelený 2mm boot

Výrobok označiť Profiber štítkom

		Notes: Dimensions are not defined in this drawing. Only for informative purposes. Do not copy without written permission.	
		Revision level:	Scale: No scale
Created by: Karol Szelecký	Approved by:	Date: 31.01.2021	Page 1 of 1
Drawing No.:	Title: FWDM 1577/1550/1490 XGS-PON, SC/APC, L=1m		
Profiber			