

Cure Ring Optical Accessory

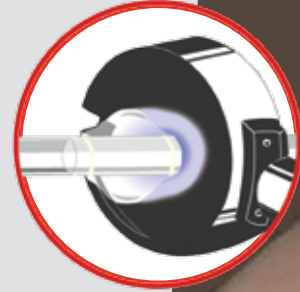
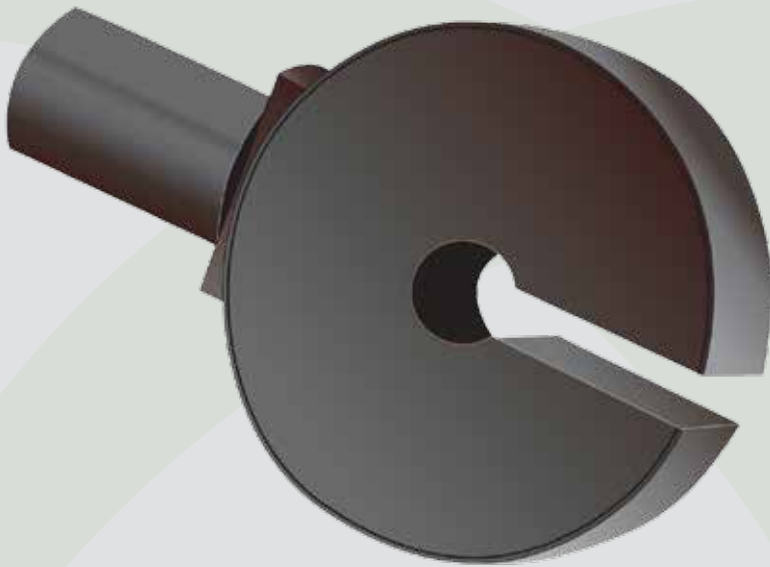
360° of Curing Power

Cure Ring technology allows a light guide 360° of curing power. The standard ring for use with liquid light guides is available in solid or slotted versions. The hinged Cure Ring coupled to a special dual-leg fused-silica light guide easily opens and closes using a spring-loaded hinge design for rapid insertion and removal of parts. Cure Rings are ideal for bonding a number of medical devices such as catheters and tubes, cables or any other parts that require 360° curing.

Available in solid, slotted or hinged versions

Provides a 360-degree beam of light

Couples to standard OmniCure® Liquid Light Guides and High Power Fiber Light Guides



OmniCure Cure Ring Optical Accessory

Applications

This optical accessory is ideal for applications including:

- Connectorizing fibers
- Tubing or cable to connector bonding
- Catheter bonding

SPECIFICATIONS

DESCRIPTION

Fiber	Randomized fiber bundle split into ten nodes for the solid Cure Ring and nine nodes for the slotted version (Numerical Aperture = 0.22)
Throughput	Approximately 30% of the output of a single liquid filled light guide
Uniformity	+/- 10% across the nodes

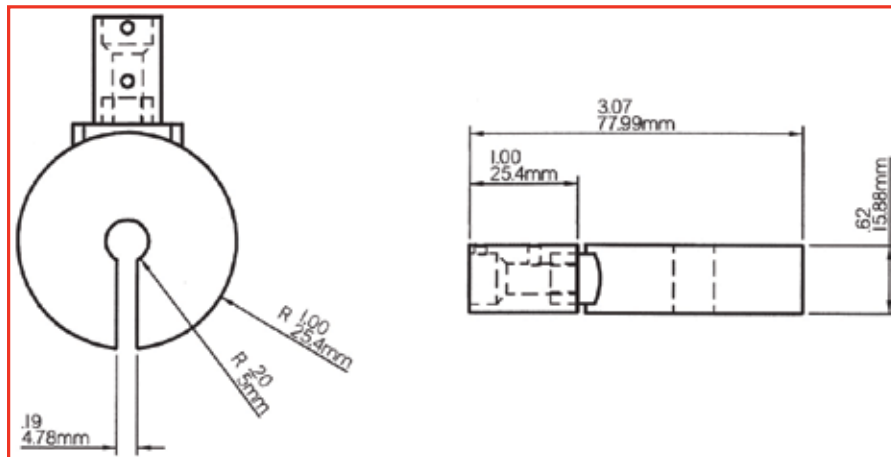
PART NUMBER

PRODUCT DESCRIPTION

810-00048	Cure ring, slotted, 63.5 mm OD, 10 mm ID for 5 mm LG Typical delivery time: 10 to 12 weeks
810-00049	Cure ring, no-slot, 63.5 mm OD, 10 mm ID for 8 mm LG Typical delivery time: 10 to 12 weeks
810-00050	Cure ring, no slot, 63.5 mm OD, 15 mm ID for 5 mm LG Typical delivery time: 10 to 12 weeks

CURE RING DIMENSIONS:

All dimensions are shown in inches and millimeters. Dimensions relate to the standard OmniCure Cure Ring and are for the purpose of providing fixturing and clearance detail. Customized solutions are available upon request.



To learn more about OmniCure UV curing solutions, please visit www.excelitas.com/omnicure.



www.excelitas.com
omnicure@excelitas.com

2260 Argentia Road
Mississauga, Ontario
L5N 6H7 CANADA

Telephone: +1 905 821-2600
Toll Free (USA and CAN): +1 800 668-8752
Fax: +1 905 821-2055